

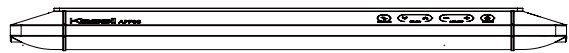
Kessil® AP700

OWNER'S MANUAL
LED ILLUMINATOR

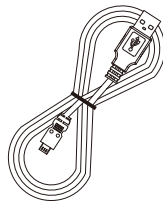


INSIDE THE BOX

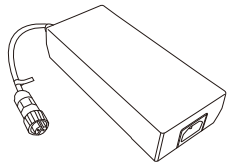
- AP700 X 1



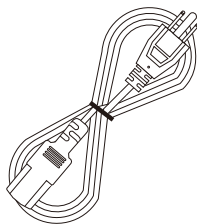
- USB CABLE X 1



- POWER ADAPTER X 1



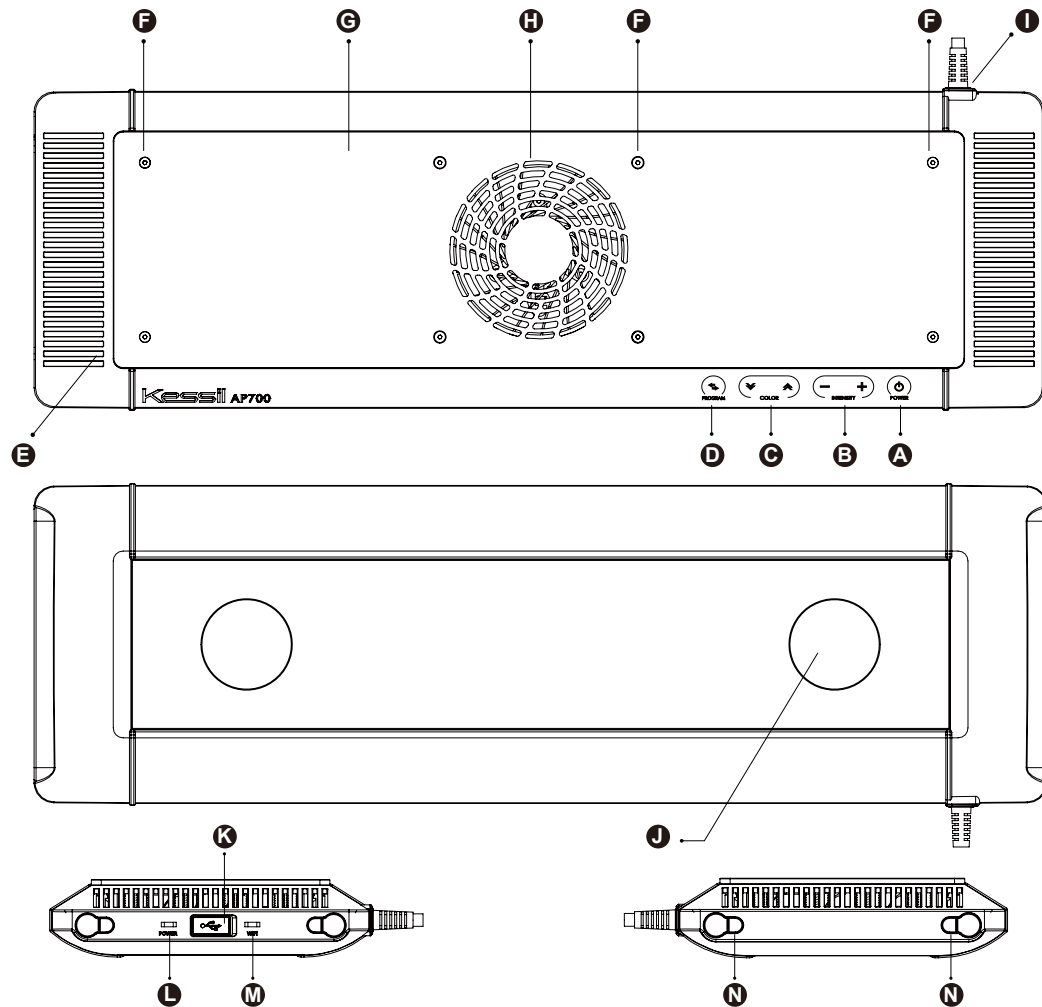
- ADAPTER CABLE X 1



- BRACKET X 4



NAVIGATION



- A** Power - Turn the AP700 on or off.
- B** Intensity - Adjust the intensity of the light.
- C** Color - Adjust the color of the light.
- D** Program - Cycle through custom programs.

- E** Vent
- F** Screw
- G** Top Cover
- H** Fan(Air Inlet)
- I** Power Cord
- J** LED Array
- K** USB Port
- L** Power Indicator
- M** WiFi Indicator
- N** Mounting Guide

SAFETY INSTRUCTIONS

- DO NOT** use a power supply outside the specifications. This is a fire hazard and may lead to unit failure.
- DO NOT** use outdoors. This unit is intended for indoor use only.
- DO NOT** expose unit to an extremely humid environment or submerge unit in water. This may lead to unit failure.
- DO NOT** place working illuminator in close contact with any objects. This may cause objects to heat up and the unit to overheat.
- KEEP lens away from** sharp objects. Sharp objects may break the lens and lead to unit failure.
- DO NOT** cover or place objects on the power supply. Power supply should not be contained in an airtight space.
- ENSURE** that the light is correctly mounted.

INSTRUCTIONS DE SECURITE

- N'UTILISEZ PAS de câble d'alimentation ne correspondant pas aux caractéristiques. Il y aurait un risque d'incendie et de dommages de l'unité.
- NE PAS UTILISER à l'extérieur. Cette unité est prévue pour une utilisation en intérieur.
- N'EXPOSEZ PAS l'unité à un environnement extrêmement humide ou ne submergez pas l'unité dans l'eau. Cela pourrait endommager l'unité.
- NE PLACEZ PAS l'illuminateur en marche, en contact direct avec d'autres objets. Cela pourrait causer un réchauffement trop élevé de ces derniers et pourrait faire surchauffer l'unité.
- GARDEZ la lentille (H) à l'écart des objets pointus. Les objets pointus pourraient casser la lentille et endommager l'unité.
- NE RECOUVREZ PAS, ou ne placez pas d'objet sur le câble d'alimentation. Le câble ne doit pas se trouver dans un espace fermé.
- Capitalize que la lampe est correctement montée/fixée

PRODUCT SPECIFICATIONS

Illuminator	
Power Consumption	185W maximum
Input Voltage	48V DC ± 5%
Listed Power Supply	
Input	100-240V AC 50-60 Hz
Output	48V DC, maximum 4.2A



kessil.led

kessiltube

kessil

kessil.com

Kessil Lighting

A DiCon Brand

1689 Regatta Blvd,
Richmond, CA 94804
(510) 620-5250

ver. A2

MAINTENANCE

1. Keep the air intake hole, venting holes, and fan clear of dust. Perform regular cleanings with compressed air. Unplug the unit and insert the tip of a CO2 canister into one of the venting holes. Hold and spray. You may also gently vacuum out the dust through the venting holes.
2. Keep the lens clean. If the lens becomes contaminated with water, dust or other particles, unplug the unit and clean the lens with isopropyl alcohol. Wet a cotton swab or napkin with the isopropyl alcohol and gently wipe the surface of the lens. The light can be turned on once the lens is fully dry.

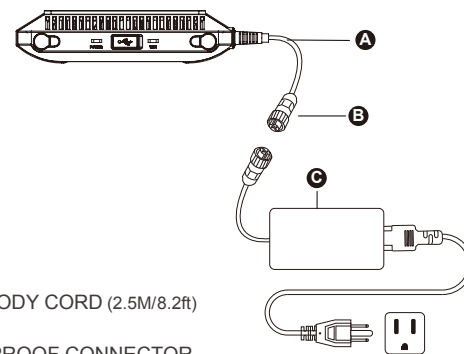
TROUBLESHOOTING GUIDE

Problem	Cause / Solution
Light doesn't turn ON	Make sure the unit is connected to the power supply and that the power supply is plugged into an outlet with the correct specifications.
	Make sure electrical power is available to the AC outlet being used.
	Make sure the correct power supply is being used.
Unit is flickering	Make sure the device is operating within the specified operating temperature.
	Make sure the correct power supply is being used.
	Make sure the unit has not overheated by operating at a temperature above 100°F/40°C.
	Make sure the fan is operating properly.
Buttons are not responsive	Make sure to operate the light with dry hands.

GETTING STARTED

Step 1 Start Lamp

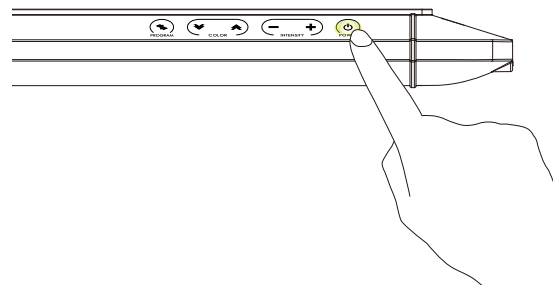
Connect the AP700 to the power adaptor and plug it into a wall outlet. The LED indicator will be red to indicate standby mode.



- A** LIGHT BODY CORD (2.5M/8.2ft)
- B** WATERPROOF CONNECTOR
- C** POWER ADAPTER | AC IN : 100~240V
DC OUT : 48V --- 5A

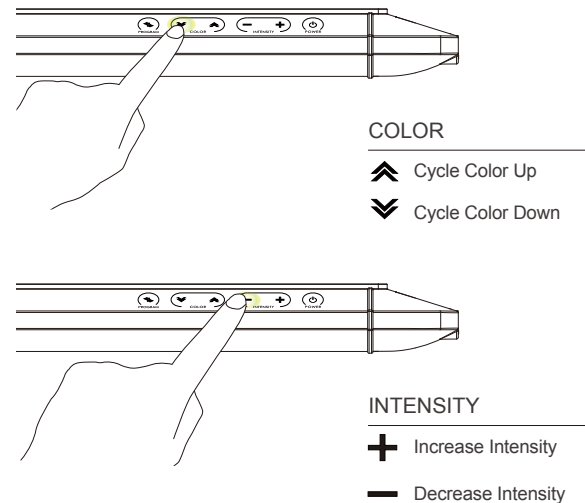
Step 2 Turn On the AP700

Touch the button to turn on the AP700. Touching the button once more will shut the light off.



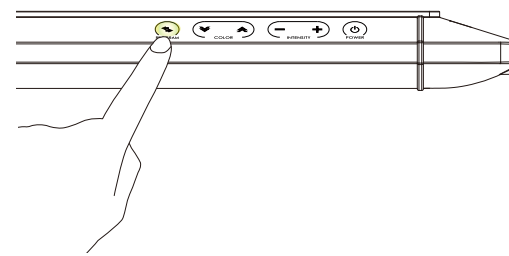
Step 3 Manual Control

You may manually adjust the intensity and color using the buttons located on the AP700.



Step 4 Program

Cycle through programs by using the button. Default programs can be customized through the app.



For more detailed setup information, please visit www.kessil.com.

- **Wireless Control:** The Kessil App is compatible with iOS device. To download your respective version, open the App Store on your device and search for "Kessil WiFi Controller". You can also scan the QR Code below to access the app download.
- **App Operation:** Once you have downloaded the app, follow the instructions listed to connect and operate the light.



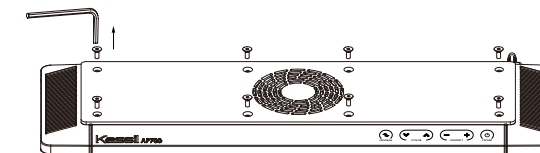
ios



Kessil WiFi Controller

Cleaning

1. Turn off the AP700, remove the eight perimeter screws from the AP700 using a 3/32" (2.5mm) hex wrench. Set aside the top cover and gently clean the inside using a dry brush. Ensure the inside is clear of debris before reinstalling the top.



Do not use water.

Mounting

Suspension Kit mounting is shown here. For other mounting options, please visit www.kessil.com.

